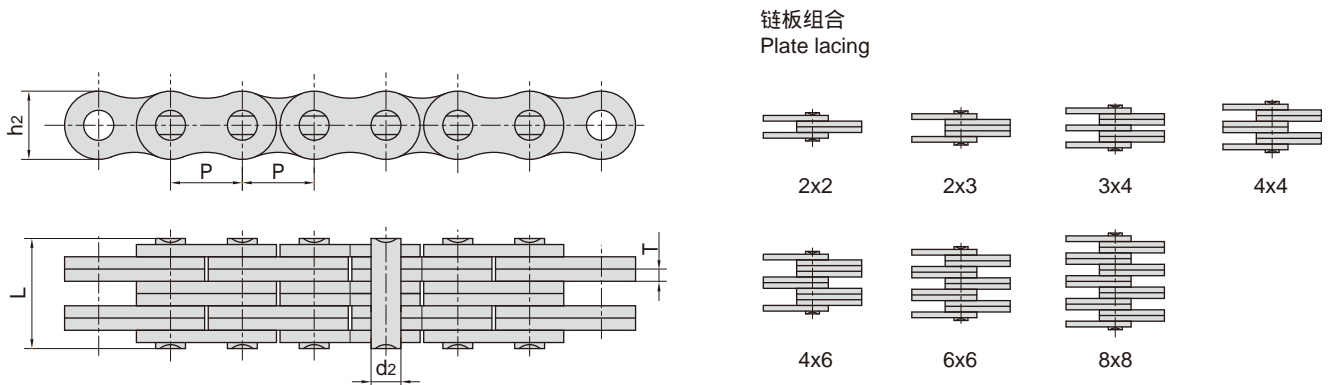
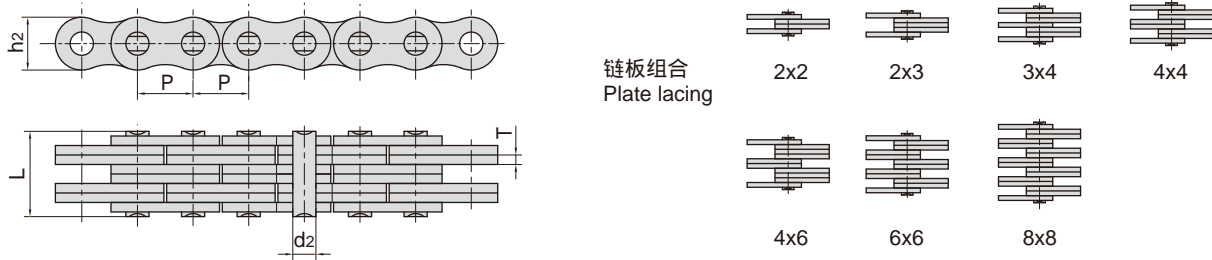


板式链 Leaf chains



ISO 链号 ISO Chain No.	ANSI 链号 ANSI Chain No.	节距 Pitch	链板组合 Plate lacing	链板高度 Plate depth	链板厚度 Plate thickness	销轴直径 Pin diameter	销轴长度 Pin length	抗拉强度 Tensile strength	平均抗拉强度 Average tensile strength	每米长重 Weight per meter
		P		h2 max	T max	d2 max	L max	Q min	Q0	q
		mm		mm	mm	mm	mm	kN/lbf	kN	kg/m
LH0822	BL422	12.700	2 × 2	12.07	2.03	5.09	11.05	22.2/5045	27.6	0.60
LH0823	BL423		2 × 3				13.16	22.2/5045	27.6	0.75
LH0834	BL434		3 × 4				17.40	33.4/7591	41.4	1.05
LH0844	BL444		4 × 4				19.51	44.5/10114	56.0	1.20
LH0846	BL446		4 × 6				23.75	44.5/10114	56.0	1.46
LH0866	BL466		6 × 6				27.99	66.7/15159	81.7	1.77
LH0888	BL488		8 × 8				36.45	89.0/20227	109.4	2.32
LH1022	BL522	15.875	2 × 2	15.09	2.42	5.96	12.90	33.4/7591	43.1	0.90
LH1023	BL523		2 × 3				15.37	33.4/7591	43.1	1.10
LH1034	BL534		3 × 4				20.32	48.9/11114	65.6	1.50
LH1044	BL544		4 × 4				22.78	66.7/15159	84.5	1.80
LH1046	BL546		4 × 6				27.74	66.7/15159	84.5	2.20
LH1066	BL566		6 × 6				32.69	100.1/22750	125.1	2.65
LH1088	BL588		8 × 8				42.57	133.4/30318	169.5	3.50
LH1222	BL622	19.050	2 × 2	18.11	3.25	7.94	17.37	48.9/11114	68.2	1.50
LH1223	BL623		2 × 3				20.73	48.9/11114	68.2	1.80
LH1234	BL634		3 × 4				27.43	75.6/17181	102.8	2.50
LH1244	BL644		4 × 4				30.78	97.9/22250	136.9	2.90
LH1246	BL646		4 × 6				37.49	97.9/22250	136.9	3.60
LH1266	BL666		6 × 6				44.20	146.8/33364	214.2	4.30
LH1288	BL688		8 × 8				57.61	195.7/44477	217.7	5.80
LH1622	BL822	25.400	2 × 2	24.13	4.00	9.54	21.34	84.5/19204	108.2	2.40
LH1623	BL823		2 × 3				25.48	84.5/19204	108.2	3.00
LH1634	BL834		3 × 4				33.76	129.0/29318	170.0	4.20
LH1644	BL844		4 × 4				37.90	169.0/38409	214.6	4.80
LH1646	BL846		4 × 6				46.18	169.0/38409	214.6	6.00
LH1666	BL866		6 × 6				54.46	253.6/57636	324.5	7.20
LH1688	BL888		8 × 8				71.02	338.1/76841	432.7	9.60

板式链 Leaf chains



ISO 链号 ISO Chain No.	ANSI 链号 ANSI Chain No.	节距	链板组合	链板高度	链板厚度	销轴直径	销轴长度	抗拉强度	平均抗拉强度	每米长重
		Pitch	Plate lacing	Plate depth	Plate thickness	Pin diameter	Pin length	Tensile strength	Average tensile strength	Weight per meter
		P		h2 max	T max	d2 max	L max	Q min	Q0	q
		mm		mm	mm	mm	mm	kN/lbf	kN	kg/m
LH2022	BL1022	31.75	2 × 2	30.18	4.80	11.11	25.37	115.6/26272	165.8	3.57
LH2023	BL1023		2 × 3				30.33	115.6/26272	165.8	4.45
LH2034	BL1034		3 × 4				40.23	182.4/41454	248.7	6.19
LH2044	BL1044		4 × 4				45.19	231.3/52568	303.6	7.04
LH2046	BL1046		4 × 6				55.09	231.3/52568	303.6	8.77
LH2066	BL1066		6 × 6				65.00	347.0/78863	433.7	10.50
LH2088	BL1088		8 × 8				84.81	462.6/105136	604.1	14.00
LH2422	BL1222	38.10	2 × 2	36.20	5.60	12.71	29.62	151.2/34363	192.0	4.96
LH2423	BL1223		2 × 3				35.43	151.2/34363	192.0	6.16
LH2434	BL1234		3 × 4				47.07	244.6/55591	315.9	8.55
LH2444	BL1244		4 × 4				52.88	302.5/68750	381.1	9.76
LH2446	BL1246		4 × 6				64.52	302.5/68750	381.1	12.16
LH2466	BL1266		6 × 6				76.15	453.7/103113	543.6	14.61
LH2488	BL1288		8 × 8				99.42	605.0/137500	726.0	19.36
LH2822	BL1422	44.45	2 × 2	42.24	6.40	14.29	33.55	191.3/43477	225.7	6.89
LH2823	BL1423		2 × 3				40.16	191.3/43477	225.7	8.55
LH2834	BL1434		3 × 4				53.37	315.8/71772	448.3	11.61
LH2844	BL1444		4 × 4				59.97	382.6/86954	451.2	13.24
LH2846	BL1446		4 × 6				73.18	382.6/86954	451.2	16.51
LH2866	BL1466		6 × 6				86.39	578.3/131431	682.4	19.79
LH2888	BL1488		8 × 8				112.80	765.1/173886	902.8	26.35
LH3222	BL1622	50.80	2 × 2	48.26	*7.20	17.46	39.01	289.1/65704	341.1	8.78
LH3223	BL1623		2 × 3				46.58	289.1/65704	341.1	10.90
LH3234	BL1634		3 × 4				61.72	440.4/100091	519.6	15.15
LH3244	BL1644		4 × 4				69.29	573.8/131431	680.4	17.27
LH3246	BL1646		4 × 6				84.43	578.3/131431	680.4	21.53
LH3266	BL1666		6 × 6				99.57	857.4/194863	1000.7	25.88
LH3288	BL1688		8 × 8				129.84	1156.5/262841	1364.6	34.29
LH4022	BL2022	63.50	2 × 2	60.33	9.91	23.81	51.74	433.7/98568	511.7	15.95
LH4023	BL2023		2 × 3				61.70	433.7/98568	511.7	19.78
LH4034	BL2034		3 × 4				81.61	649.4/147590	766.2	27.46
LH4044	BL2044		4 × 4				91.57	867.4/197163	1023.5	31.34
LH4046	BL2046		4 × 6				111.48	867.4/197163	1023.5	39.01
LH4066	BL2066		6 × 6				131.39	1301.1/295704	1535.2	46.63
LH4088	BL2088		8 × 8				171.22	1734.8/394272	2046.5	62.00

* : 有两种链板厚度，除上述表中标注的7.20mm之外，另一种厚度为7.52mm。客户可根据自己的需求，自行选择。

*: We have two kinds of chain plate thickness. Besides the 7.20mm in above table, the other thickness is 7.52 mm. Customers can choose according to needs.